

LED wall park PB01L

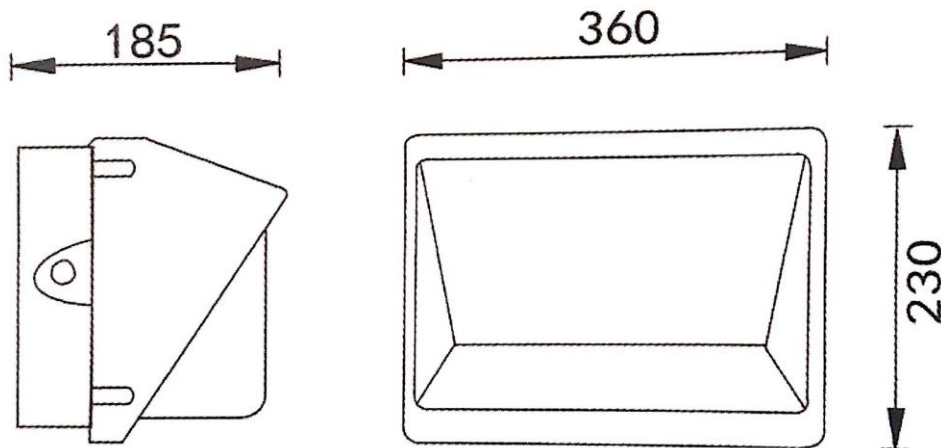


Feature:

- 1.High-pressure die-casting aluminum housing with electro-static spraying.
- 2.Green energy led wall pack light ,No UV rays, no noise, no flickering, mercury free.
- 3.Instant on/off Easy Installation Glass optical diffuser, high lumen output
- 4.Longer life than HPS/MH & HID's wide voltage and constant current design
- 5.50%~80%+ energy savings, lifespan,>50000 hrs

Application: Garage Lighting Gymnasium, Sports, Stadium Lighting Building Lighting Tunnel, Subway, Underground Lighting Park, Garden Lighting

Dimension



Specification

Model	PB01L-40W	PB01L-50W	PB01L-60W	PB01L-70W	PB01L-80W
Power	40W	50W	60W	70W	80W
Input Voltage	AC100-277V 50/60Hz				
Power Factor	≥ 0.9				
Light Efficiency	4000LM	5000LM	6000LM	7000LM	8000LM
Color Rendering Index	$Ra \geq 70$				
Color Temperature	3000K-6000K				
Viewing Angel	120°				
Operating Temperature	$-40^\circ\text{C} \sim +50^\circ\text{C}$				
Life Span	$> 50000\text{H}$				
IP Grade	IP65				
Gross/Net Weight	5.5KG/4.4kg				
Packing Size	400mm*300mm*240mm				